

### ⚡ Specifications

#### Nominal Voltage(V)

2V

#### Nominal Capacity

10 hour rate	(50A	to	1.80V)	500Ah
5 hour rate	(85A	to	1.70V)	425Ah
1 hour rate	(300A	to	1.60V)	300Ah
1 C	(500A	to	1.60V)	250Ah

#### Weight

Approx. 31kg(68.2Lbs.)

#### Internal Resistance (at 1KHz)

Approx. 0.5 mΩ

#### Maximum Discharge Current for

5 seconds: 3000A

#### Charging Methods at 25°C(77°F)

Cycle use:	
Charging Voltage	2.33 to 2.36V
Coefficient -5.0mV/°C/cell	
Maximum Charging Current :	150A
Standby use:	
Float Charging Voltage	2.21 to 2.25V
Coefficient -3.0mV/°C/cell	

#### Operating Temperature Range

Charge	-15°C(5°F)	to	40°C(104°F)
Discharge	-15°C(5°F)	to	50°C(122°F)
Storage	-15°C(5°F)	to	40°C(104°F)

#### Charge Retention (shelf life) at 20°C(68°F)

1 month	98%
3 month	94%
6 month	85%

#### Case Material

ABS UL94 HB  
Option: Flammability resistance of (UL94 V-0)

#### Design Life

12 Years.

#### Terminal

F18

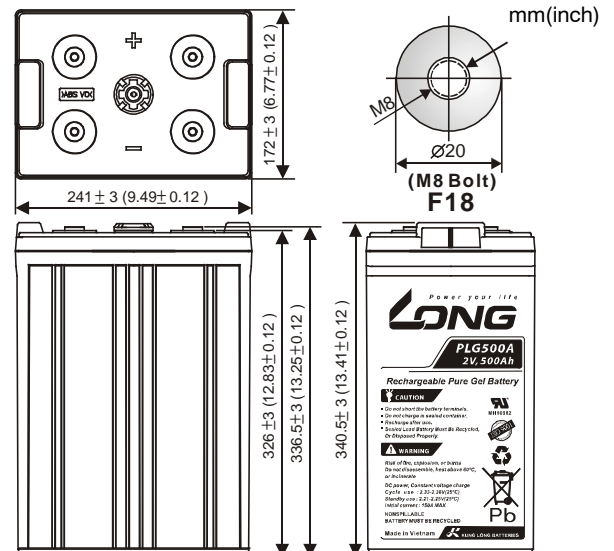


### ⚡ Dimensions

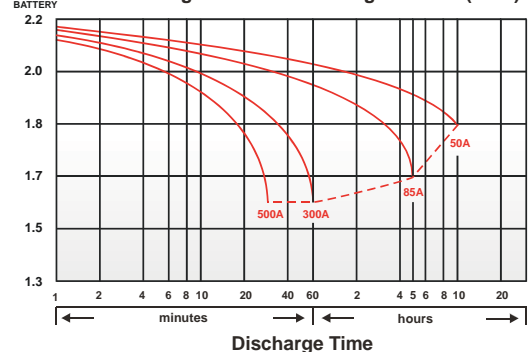
Length (L)	241 ±3 (9.49 ±0.12)
Width (W)	172 ±3 (6.77 ±0.12)
Height (H)	326 ±3 (12.83 ±0.12)
Overall Height (HT)	340.5 ±3 (13.41 ±0.12)

#### Description of torque value of hard ware for the terminals:

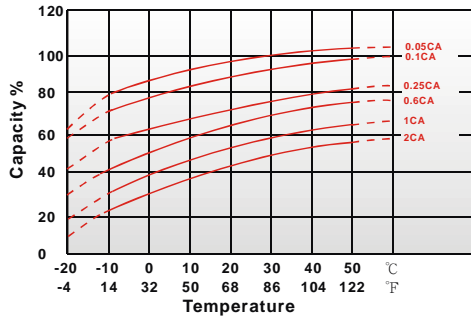
Recommended torque value	M8:12 N-m (122kgf-cm)
Maximum allowable torque value	M8:20 N-m (204kgf-cm)



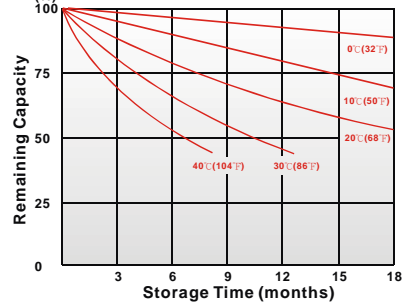
(V) FOR 2V BATTERY Discharge Time VS. Discharge Current (25°C)



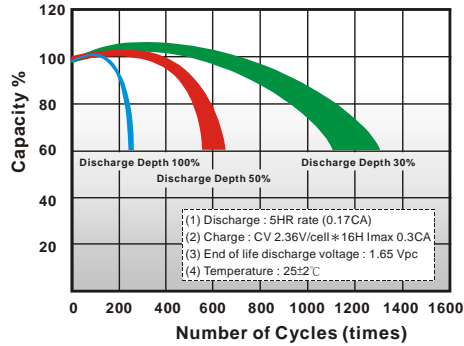
Effect of Temperature on Capacity 25°C (77°F)



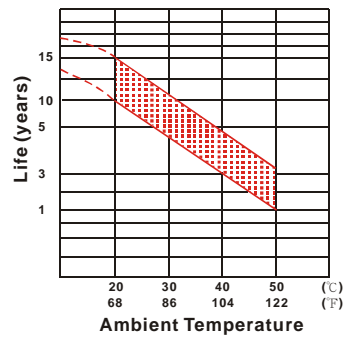
Capacity Retention Characteristic



Cycle Service Life



Trickle (or float) Service Life



### - PERFORMANCE DATA

#### Discharge Rates in Watts to Various End Voltages at 25°C (77°F)

End Voltage		1.85V	1.80V	1.75V	1.70V	1.65V	1.60V
Time							
20	min	850	931	1018	1078	1140	1203
30	min	719	789	865	910	955	993
60	min	492	525	569	581	598	608
120	min	308	324	340	342	347	351
180	min	232	242	254	261	271	277
240	min	170	179	188	197	201	205
300	min	149	158	164	169	173	176
480	min	107	112	117	119	121	123
600	min	90.0	92.2	94.1	96.9	97.9	98.8
1200	min	49.0	50.5	51.7	52.3	52.7	53.1

#### - Discharge Rates in Amperes to Various End Voltages at 25°C (77°F)

End Voltage		1.85V	1.80V	1.75V	1.70V	1.65V	1.60V
Time							
20	min	491	546	597	637	658	679
30	min	398	447	498	542	582	612
60	min	263	290	314	330	346	358
120	min	162	183	200	207	215	221
180	min	119	127	135	141	146	152
240	min	101	107	112	115	118	121
300	min	78.0	83.4	88.8	91.1	92.1	92.6
480	min	56.0	57.9	59.6	60.2	60.8	61.2
600	min	47.8	50.0	50.1	50.2	50.3	50.5
1200	min	24.7	25.5	25.9	26.2	26.5	26.8

All data on the spec. sheet is an average value:

The tolerance range :  $X < 6\text{min}$  (+15%~-15%),  $6\text{min} \leq X < 10\text{min}$  (+12%~-12%),  $10\text{min} \leq X < 60\text{min}$  (+8%~-8%),  $X \geq 60\text{min}$  (+5%~-5%)

070121-1B